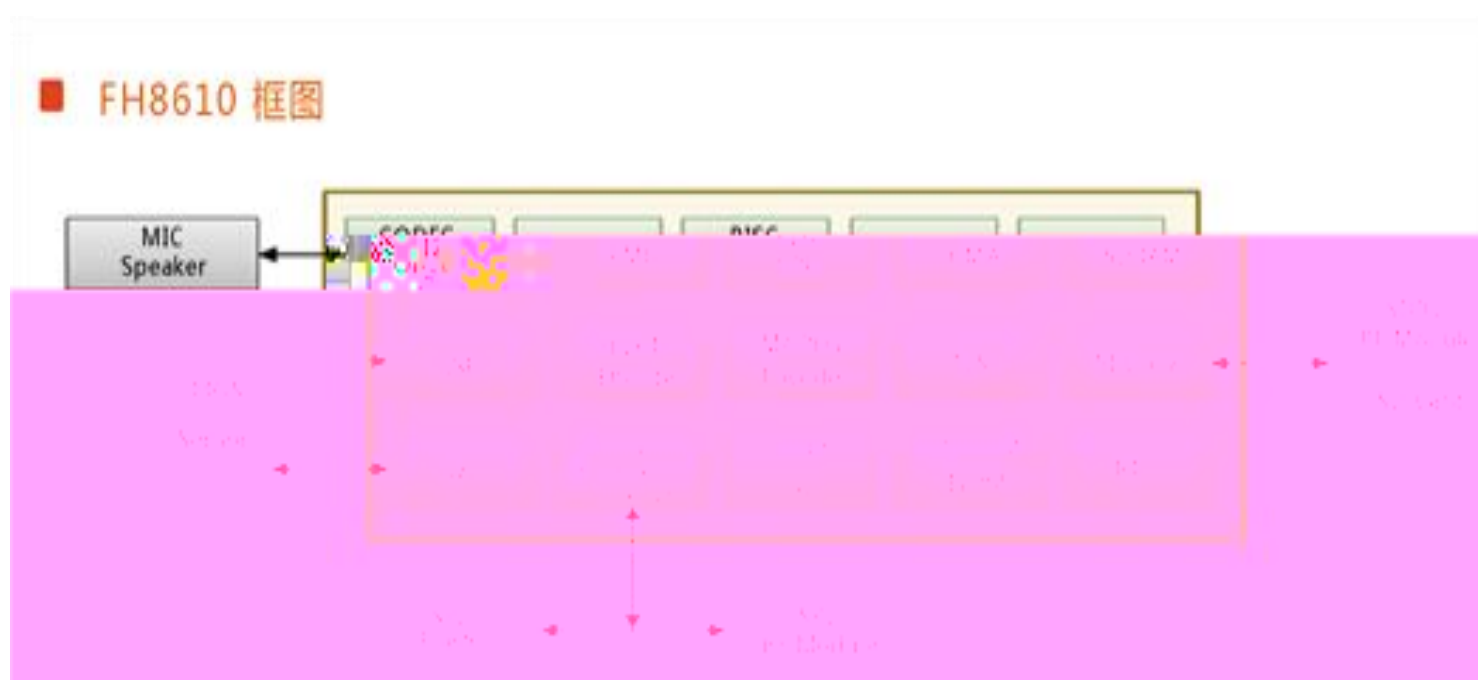


FH8610: Low Cost、High Performance Wireless Camera SoC

FH8610 is a SOC for CIS(CMOS Image Sensor) and targeted on Low/Middle end wireless camera with ISP & Video encoder. It supports kinds of CMOS sensors, integrates 3DNR, video enhancement, AWB, AE, H.264 & JPEG/MJPEG encoder, internal audio codec, and supports multi input/output interfaces. It is a valuable wireless camera solution with low power consumption, high resolution, smart configuration, low system cost.



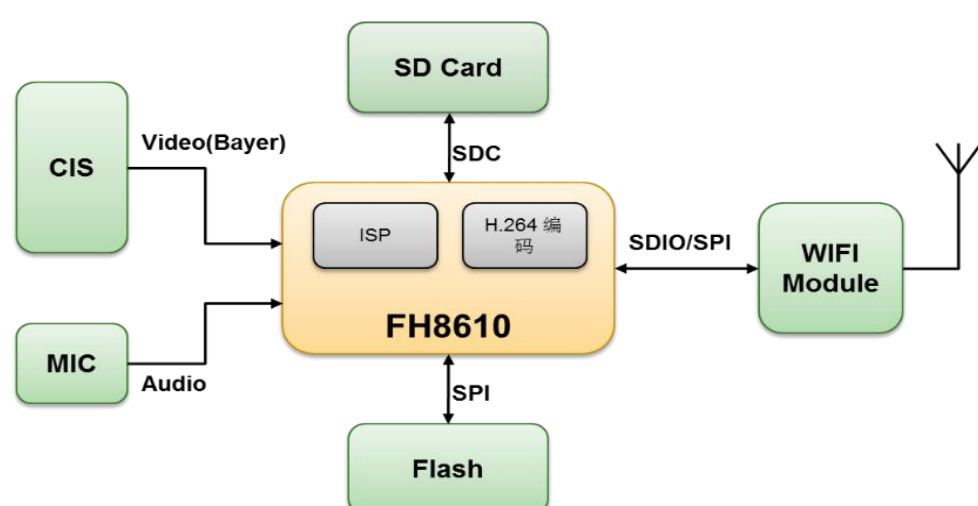
Diagram:



Features:

FH8610			
CPU	32bit CPU	Video Encoder	H.264 D1 Baseline/Main Profile Encoding/Support Multi-Slice
CIS Input	Support 800*600@30fps input RGB Bayer, Data Width 10bit or 12 bit; Clock up to 54MHz Clock effective edge & Frame, Line effective edge is configurable	Video Output	Support JPEG/MJPEG Encoder 720*480@30FPS /720*576@25FPS 8bit YCbCr 4:2:0 Encoding
ISP Function	Reduce fixed pattern noise	Audio	Internal Audio Codec (IIS Interface optional)
	High performance CFA interpolation	External Interface	I2C
	Adaptive 2D de-noise, 3D de-noise		3*SPI
	Auto white balance / Auto Iris lens / Auto exposure		GPIO
	Support lens shade correction		4*PWM
Support Auto black calibration	2*UART	Others	Temperature: -20°C ~ 70°C
Support auto electronic shutter; Slow Shutter	2*SDIO		Power Consumption: lower than 310mW
OSD Function	Support user defined OSD		Voltage: Analog (3.3V); IOIO(2.6~3.6V or 1.8V) ; Digital(1.2V)
			Package: QFN68

Typical Application Solution:



Contact Us:
ShangHai Fullhan Microelectronics Co., Ltd.
ADD: A703, No. 1050 WuZhong Road,
MinHang District, ShangHai, P.R.C. 201103
TEL: +86 21 6112 1558
FAX: +86 21 6406 6786
Email: Sales@fullhan.com
Website: www.fullhan.com

