

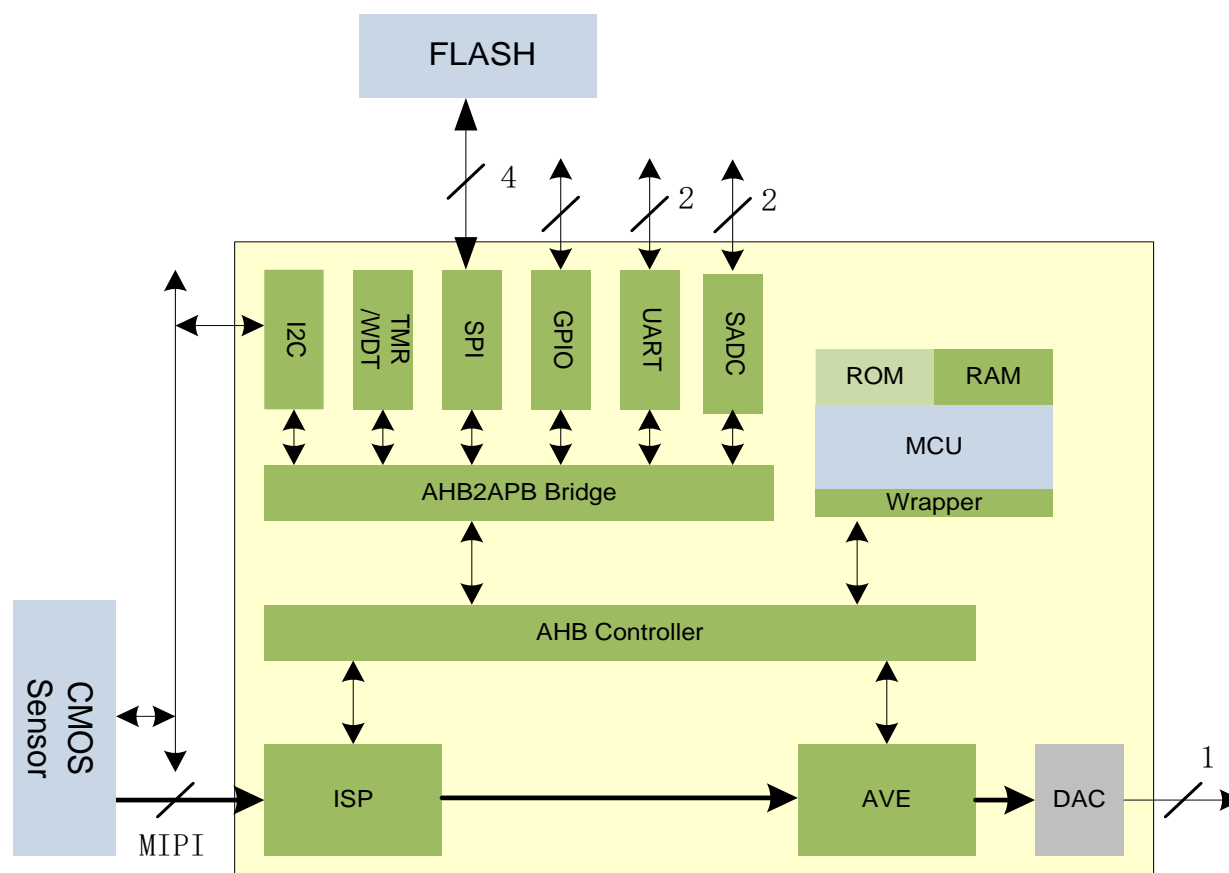
FH8538M: High Performance 4M/5M ISP for CCTV

FH8538M is a High Performance ISP for 4M/5M CIS (CMOS Image Sensor) and targeted on professional surveillance CCTV camera with internal HD Analog Tx. FH8538M supports 4-lane CIS MIPI interface. Its analog video outputs support standard CVBS/960H/ 1280H, and 2M/4M/5M HD Analog standard. FH8538M has high performance Dynamic Pixel Correction module and CFA module for high resolution quality. It also has an embedded comparator for Up the Coax function.

规格:

FH8538M			
CIS Input	Support 5M/4M CMOS sensor	Video Output	Analog Output: CVBS (1280H)
	RGB; 4-lane MIPI		HD Analog: 5M/4M/2M
ISP Function	High performance CFA	Resolution	CVBS: 800TVL above
	2D and Y/C de-noise		HD Analog: 1800TVL above (4M)
	Auto AE/AWB	External Interface	I2C
	LSC		SPI
	High performance DPC		UART
Gamma and other image enhancement	Others	GPIO	
		SADC	
		PWM	
OSD Function	Customized TOSD/GOSD		Working Temperature : -20°C ~ 70°C
			Typical Power Consumption: <500mW
			Operating Voltage: 1.2V/1.8V/3.3V
			Package : QFN56(7*7)

Diagram:



Typical Reference Design:

