

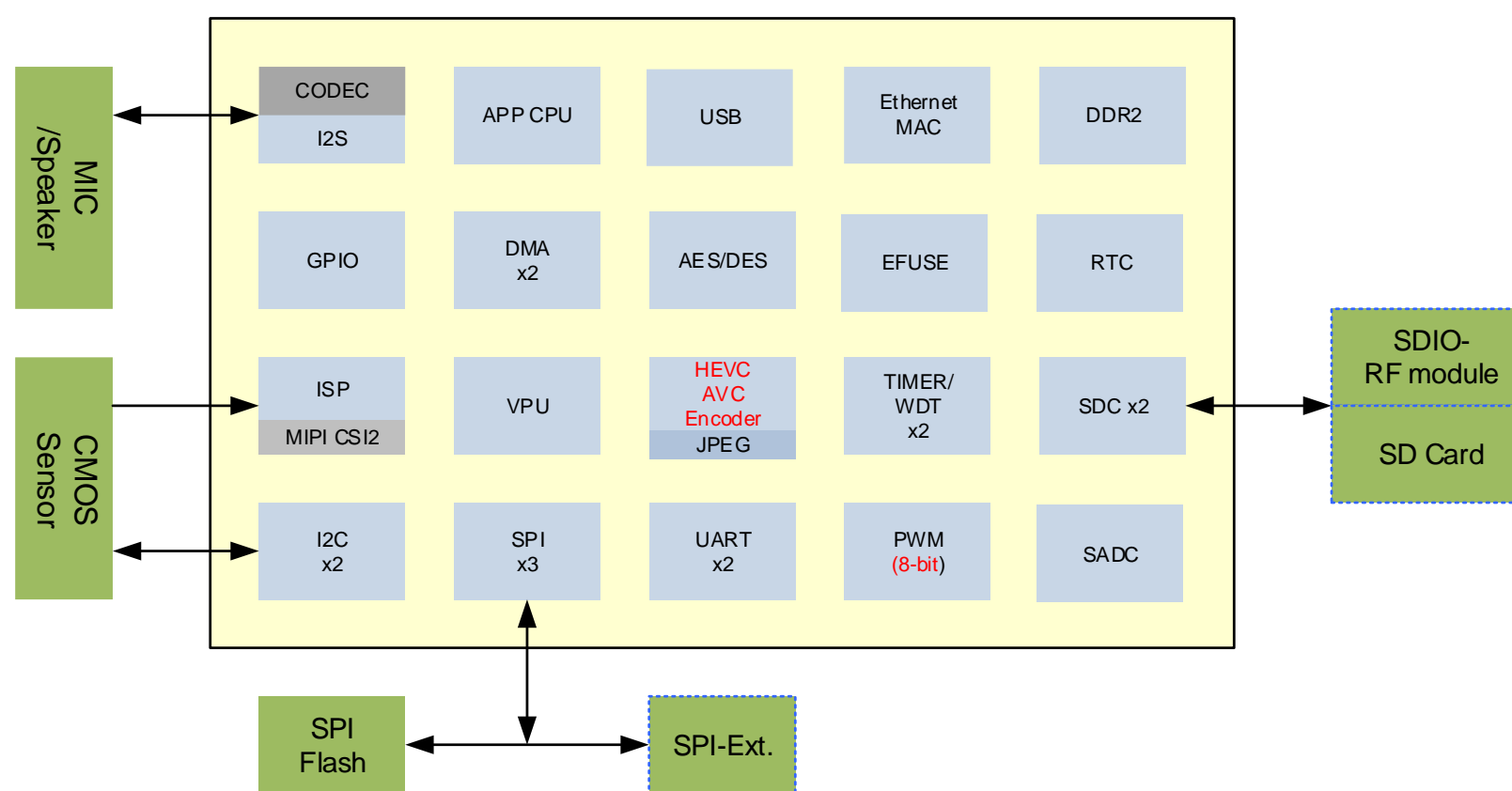
## FH8852: 2M High Performance Camera SoC

FH8852 provides a SOC solution for the HD IP Camera with High quality on image and high performance on video encoding. Multi-streams are encoded by H.264/H.265 format at 1080p@30fps, as well as superior Image Signal Processing (ISP). In addition, some visual applications such as intelligent face detection are available. Meanwhile, the high integration of Dual Processors with abundant peripherals makes FH8852 a cost-effective and easy to develop IP camera solution.

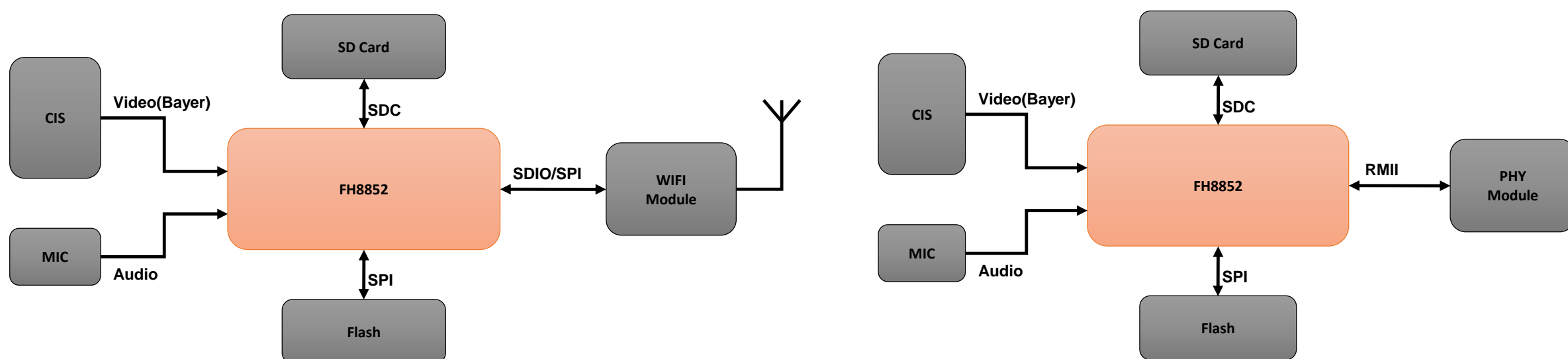
### Features:

CIS Input	Support 1920*1088, 2560x1440@20fps Input 2-lane MIPI Input Support RGB Bayer	Ethernet	10M/100Mbps full-duplex or half-duplex mode RMII
ISP Function	Reduce fixed pattern noise	Audio	Support one channel ADC and one channel DAC ADC SNR 94dB DAC SNR 94dB
	High performance CFA interpolation	External Interface	2*I2C ; 3*SPI
	Adaptive 2D de-noise , 3D de-noise , High Performance YUV de-noise		1*USB
	Auto white balance / Auto exposure		GPIO
Video Encoder	Video Enhancement, Digital Zoom ( brightness, sharpness, contrast, hue, saturation adjustment ) H.265, H.264, AVC Encoder 1920*1088+720*576@30fps 2560x1440+720*576@20fps Support JPEG encoder	OSD Function	Support user defined and multi-channel OSD
Security	Support AES/DES Support EFUSE Memory inside	Package	QFN88 ( 10mm x 10mm, pitch = 0.4mm )

### Diagram:



### Typical Application Solution:



联系我们:

上海富瀚微电子股份有限公司

地址: 上海市徐汇区宜山路717号6楼

邮编: 200233

电话: +86 21 6112 1558

传真: +86 21 6406 6786

邮件: Sales@fullhan.com

网址: www.fullhan.com

