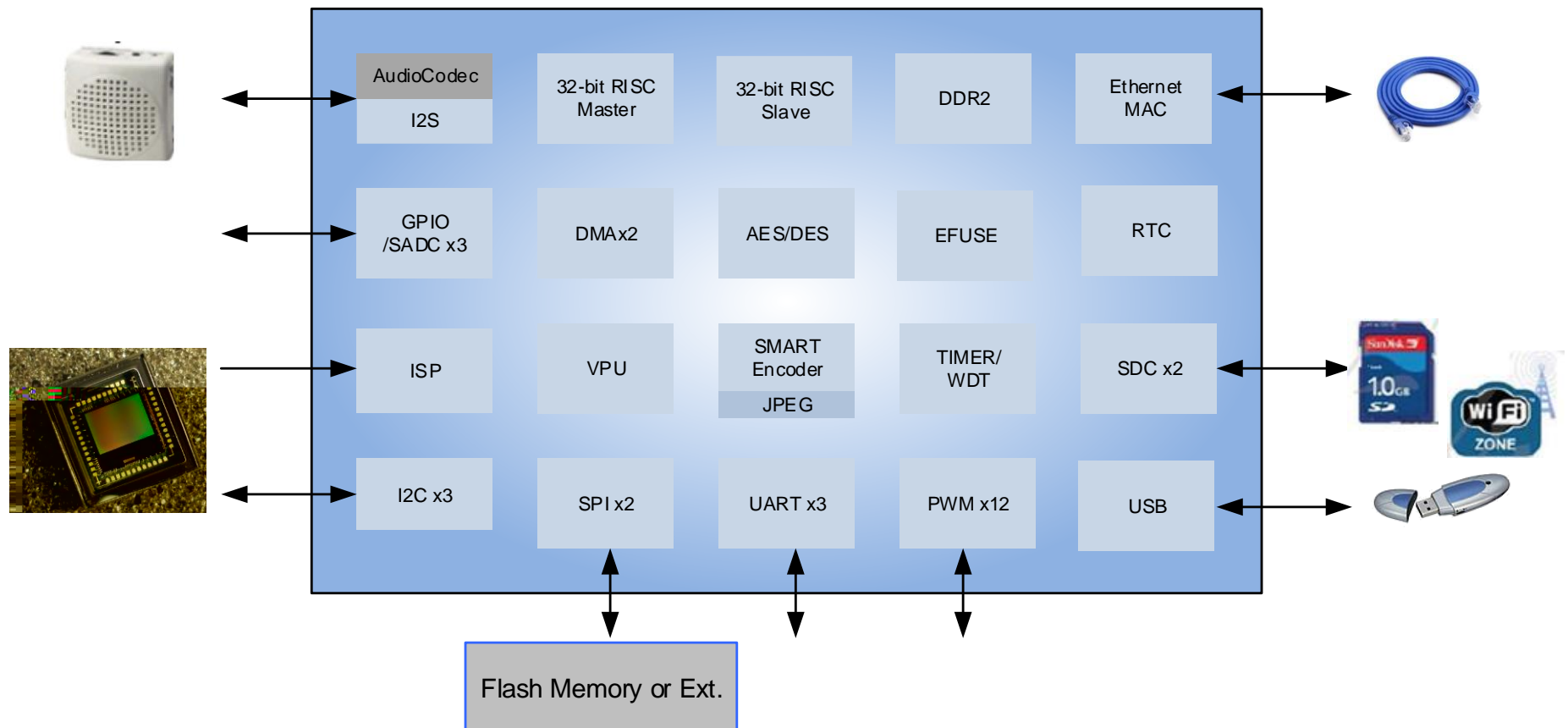


FH8626V100: 1080P IP Camera SoC

Features:

CPU	32bit CPU@600Mhz	Ethernet	10M/100Mbps full-duplex or half-duplex mode
CIS Input	Support 1920*1080@15fps Input DVP/MIPI Input	Audio	Support one channel ADC and one channel DAC 3*I2C ; 2*SPI
ISP Function	High performance CFA interpolation Adaptive 2D de-noise, 3D de-noise, High Performance YUV de-noise	External Interface	1*USB
	Auto white balance / Auto exposure Video Enhancement, Digital Zoom (brightness, sharpness, contrast, hue, saturation adjustment)		GPIO
Video Encoder	H.264 Encoder	3*SADC	PWM
	1920*1080+768*432+352*288@15fps Support JPEG encoder: 1920*1080@3fps	3*UART	2*SDIO
Security	Support AES/DES	OSD Function	Support user defined and multi-channel OSD
	Support EFUSE Memory inside	Package	QFN88 (9mm x 9mm, pitch = 0.35mm)

Diagram



Typical Application Solution:

