

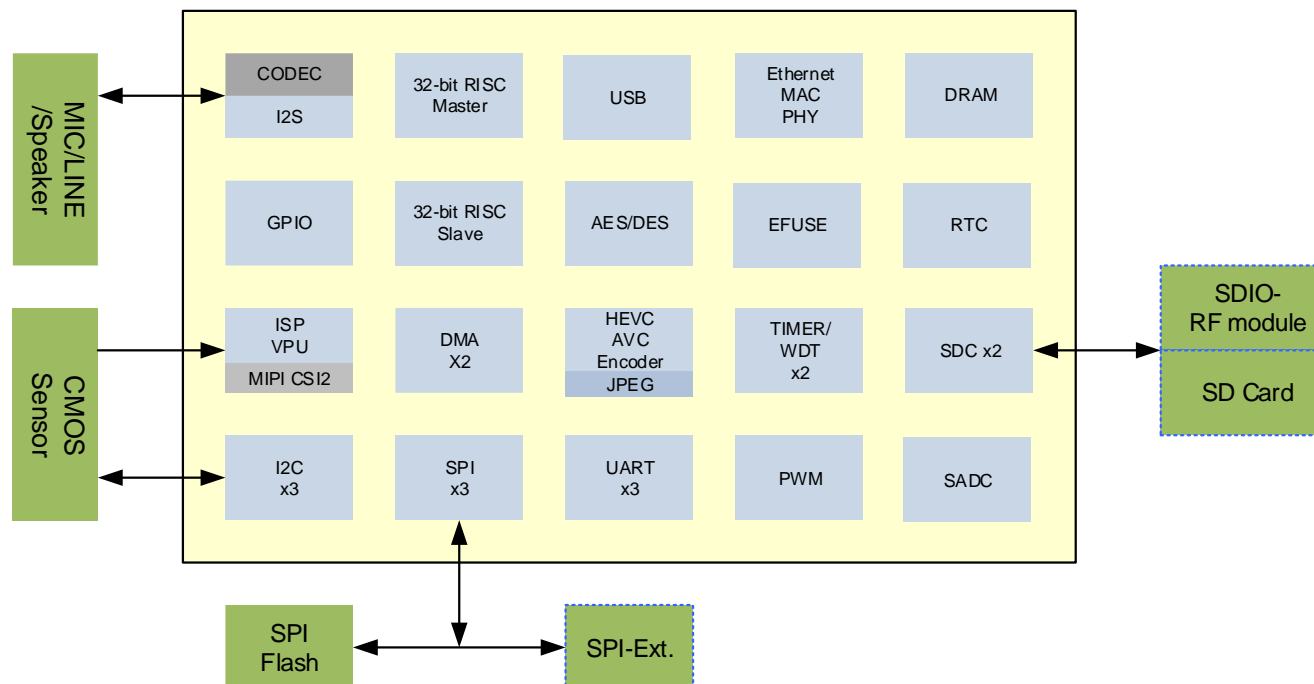
## FH8852V200: New Generation 2M High Performance Camera SoC

FH8852V200 provides a SOC solution for the HD IP Camera with High quality on image and high performance on video encoding. Multi-streams are encoded by H.264/H.265 format at 1080p@30fps, as well as superior Image Signal Processing (ISP). In addition, some visual applications such as intelligent human detection are available. Meanwhile, the high integration of Dual Processors with abundant peripherals makes FH8852V200 a cost-effective and easy to develop IPC solution.

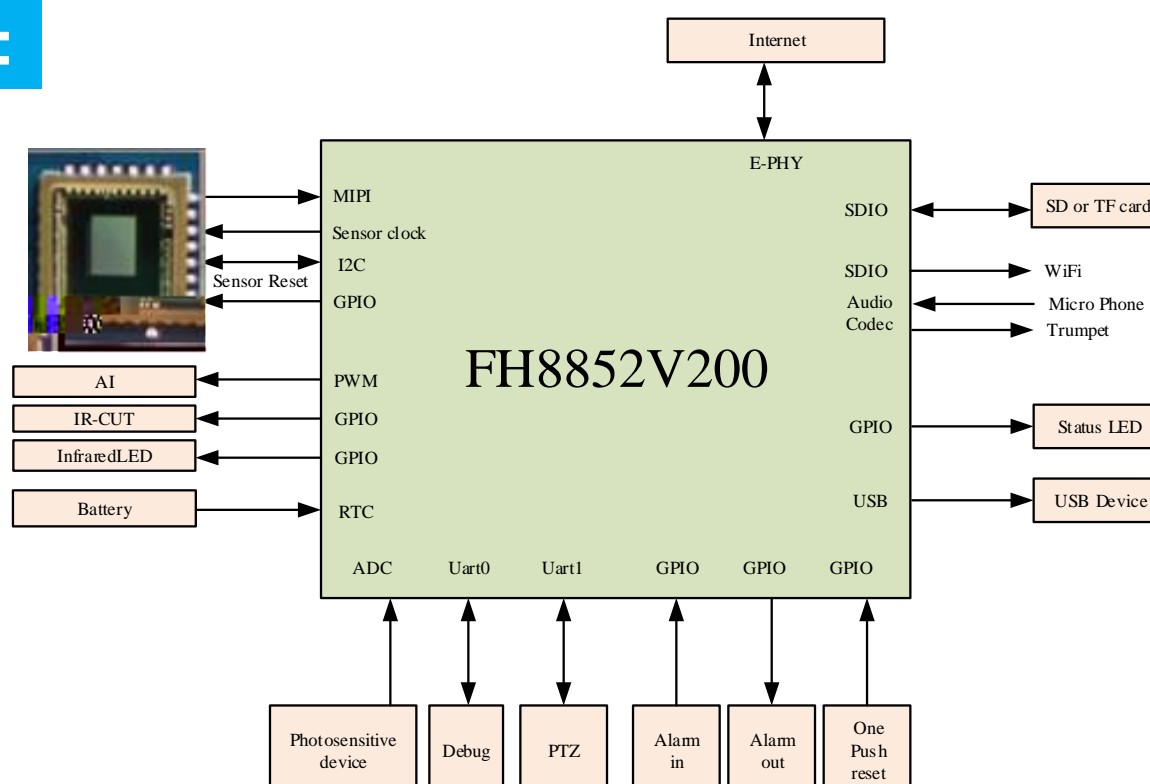
### Features:

CPU	Master CPU: RISC CPU@696MHz Slave CPU: RISC CPU@464MHz	Ethernet	Integrate 10/100M Ethernet PHY	
CIS Input	Support 4M (2688x1520) input 2-lane MIPI Input, RGB Bayer format	Audio	Support one channel ADC and one channel DAC ADC/DAC sampling rate: 8K to 48K Support echo cancellation	
ISP Function	Support line-by-line 2-Frame WDR High Performance Local Tone Mapping	External Interface	3*I2C ; 3*SPI	
	High Performance Noise Reduction: 3DNR, 2DNR AWB/AE/AF High Quality Image Enhancement Functions		1*USB 2.0	
Video Encoder	H.264/H.265: 2688x1520/2304x1296/ 1920x1080 Support multiple streams: H.264/H.265 x 2 + JPEG x 1		GPIO	2*SADC
	JPEG Encoder: 2688x1520@5fps		2*UART	12*PWM
Security	Support AES/DES	2*SDIO	3*UART	
	Support EFUSE Memory inside	DDR	Integrate 16-bit DDR2, 512Mbit	
		Package	QFN88 ( 9mm x 9mm )	

### Diagram



### Typical Solution:



Contact us  
Shanghai Fullhan Microelectronics Co., Ltd.  
Address: No . 717 Yishan Road Block 2 Floor 6  
Xuhui District Shanghai.  
Tel: +86 21 6112 1558  
Fax: +86 21 6406 6786  
Email: Sales@fullhan.com  
www.fullhan.com

