

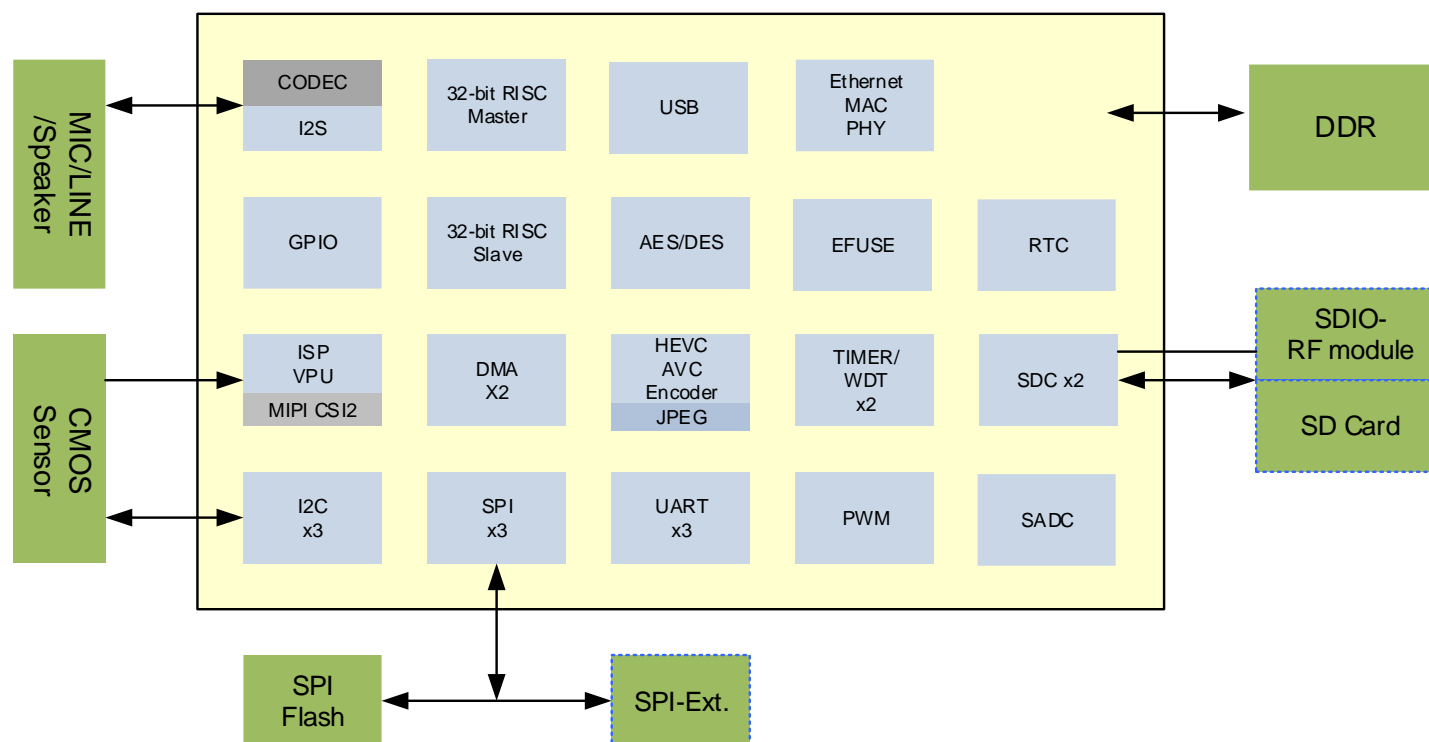
FH8858V200: New Generation 8M High Performance Camera SoC

FH8858V200 provides a SOC solution for the HD IP Camera with High quality on image and high performance on video encoding. Multi-streams are encoded by H.264/H.265 format, as well as superior Image Signal Processing (ISP). In addition, some visual applications such as intelligent human detection are available. Meanwhile, the high integration of Dual Processors with abundant peripherals makes FH8858V200 a cost-effective and easy to develop IPC solution.

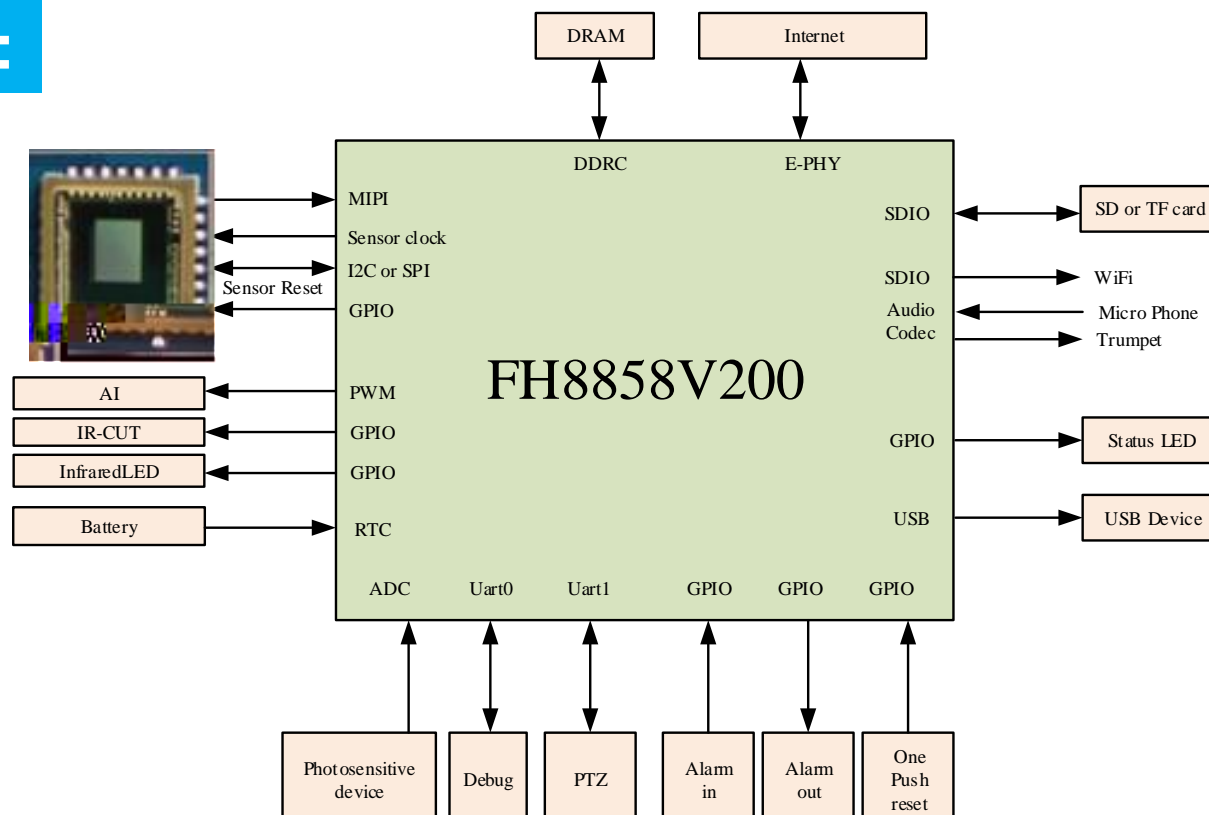
Features:

CPU	Master CPU: RISC CPU@792MHz Slave CPU: RISC CPU@528MHz	Ethernet	Integrate 10/100M Ethernet PHY
CIS Input	Support 8M (3840x2160) input 4-lane MIPI Input, RGB Bayer format	Audio	Support one channel ADC and one channel DAC ADC/DAC sampling rate: 8K to 48K Support echo cancellation
ISP Function	Support line-by-line 2-Frame WDR	External Interface	3*I2C ; 3*SPI
	High Performance Local Tone Mapping		1*USB 2.0
	High Performance Noise Reduction: 3DNR, 2DNR AWB/AE/AF		GPIO
High Quality Image Enhancement Functions	4*SADC		
Video Encoder	H.264/H.265: 3840x2160 / 3072x1728 Support multiple streams: H.264/H.265 x 2 + JPEG x 1 JPEG Encoder: 8M (3840x2160) @5fps		12*PWM
Security	Support AES/DES Support EFUSE Memory inside		3*UART
		2*SDIO	
		DDR	External 16-bit DDR3L, Max 4Gbit
		Package	BGA (12mm x 13.3mm)

Diagram



Typical Solution:



Contact us
Shanghai Fullhan Microelectronics Co., Ltd.
Address: No . 717 Yishan Road Block 2 Floor 6
Xuhui District Shanghai.
Tel: +86 21 6112 1558
Fax: +86 21 6406 6786
Email: Sales@fullhan.com
www.fullhan.com

