

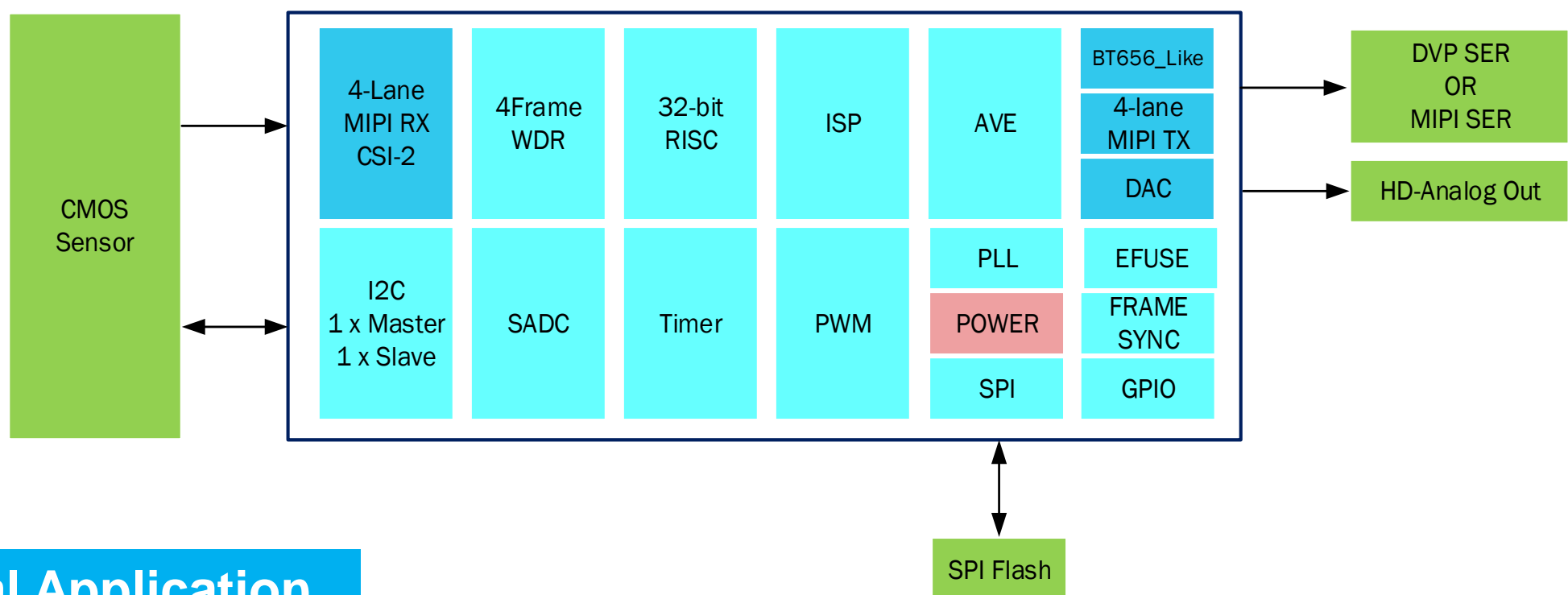
FH8320: 960P30 High-Performance Automotive ISP

FH8320 is a 960P high dynamic range automotive image processing chip, the maximum image processing capacity can reach 1280x960@30fps, support 4-frame synthesis HDR(140dB), support analog HD and MIPI/DVP digital output interface. Suitable for in-vehicle applications such as reversing, surround view, and streaming media cameras. It is certified to AEC-Q100 Grade2.

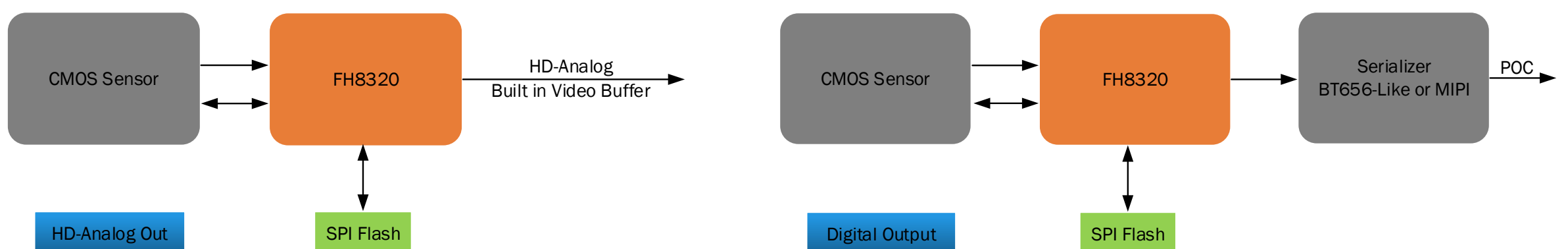
Characteristics

| FH8320 | |
|--------------|---|
| Video Input | Max Resolution 1280x960, and 120fps for 4-frame synthesis |
| | Support MIPI CSI-2 input |
| | Support 10/12/14/16 bit raw data |
| ISP Function | Support exposure synchronization with Sensor |
| | Support up to 4 frames wide dynamic synthesis, Support line-by-line, large and small pixels and different Conversion Gain |
| | Support lens shading compensation |
| | Picture enhancement |
| | Support high-performance CFA filter |
| | Support AE/AWB |
| Video Output | Support HD-Analog video output |
| | Support BT656-Like output, reach to 960P30fps |
| Security | Support OTP(One time programming) |
| | 1ch I2C Master, 1ch I2C Salve |
| Peripheral | 1ch SPI |
| | GPIO |
| | 4ch PWM |
| | 2ch UART |
| | 2ch SADC |
| Other | VDD_IO 3.3/1.8V, Analog 3.3V, Digital 1.1V |
| | Typital Comsumption (4 frame synthesis) : 230mW |
| | QFN68 (7mm x 7mm) |
| | AEC-Q100 Grade2, -40~105°C |

Outline



Typical Application



Contact Us:

Shanghai Fullhan Microelectronics Co., Ltd.

Add: 6F, Building 2, No. 717, Yishan Road, Xuhui District, Shanghai, China

Tel: +86 21 6112 1558

Fax: +86 21 6406 6786

Mail: Sales@fullhan.com

Web: www.fullhan.com

