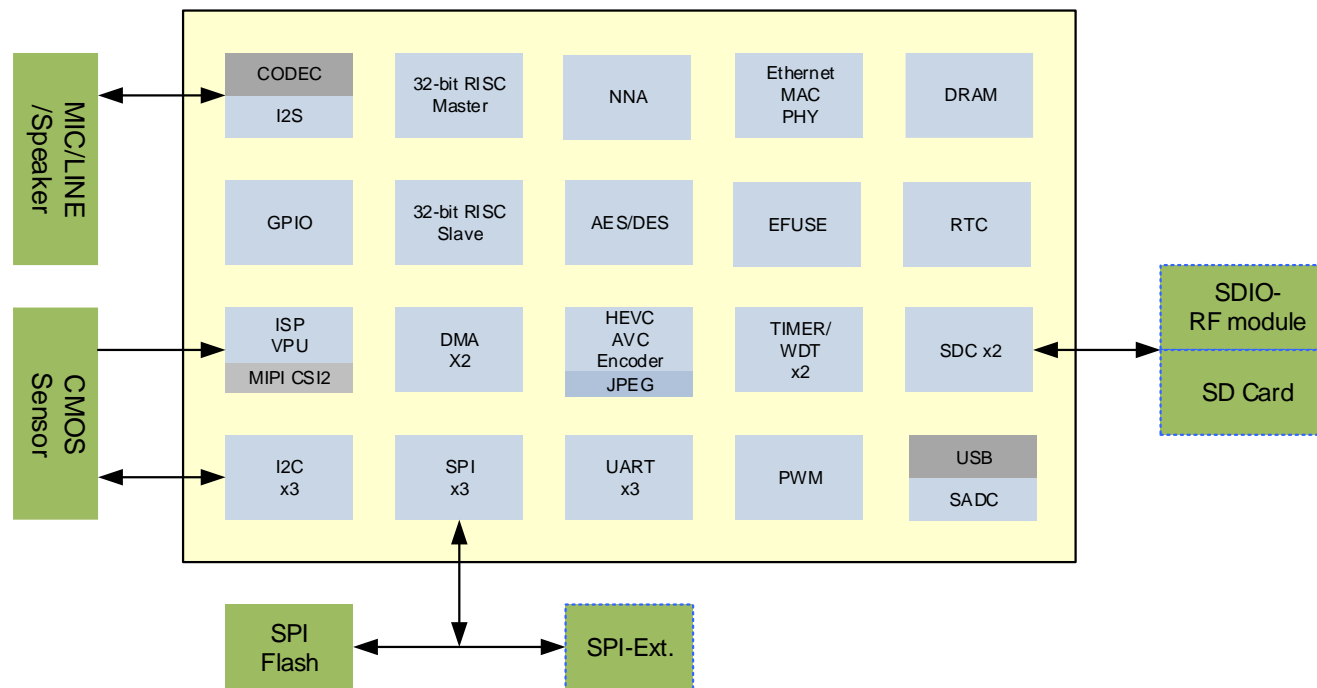


FH8652: New Generation 3M High Performance Camera SoC

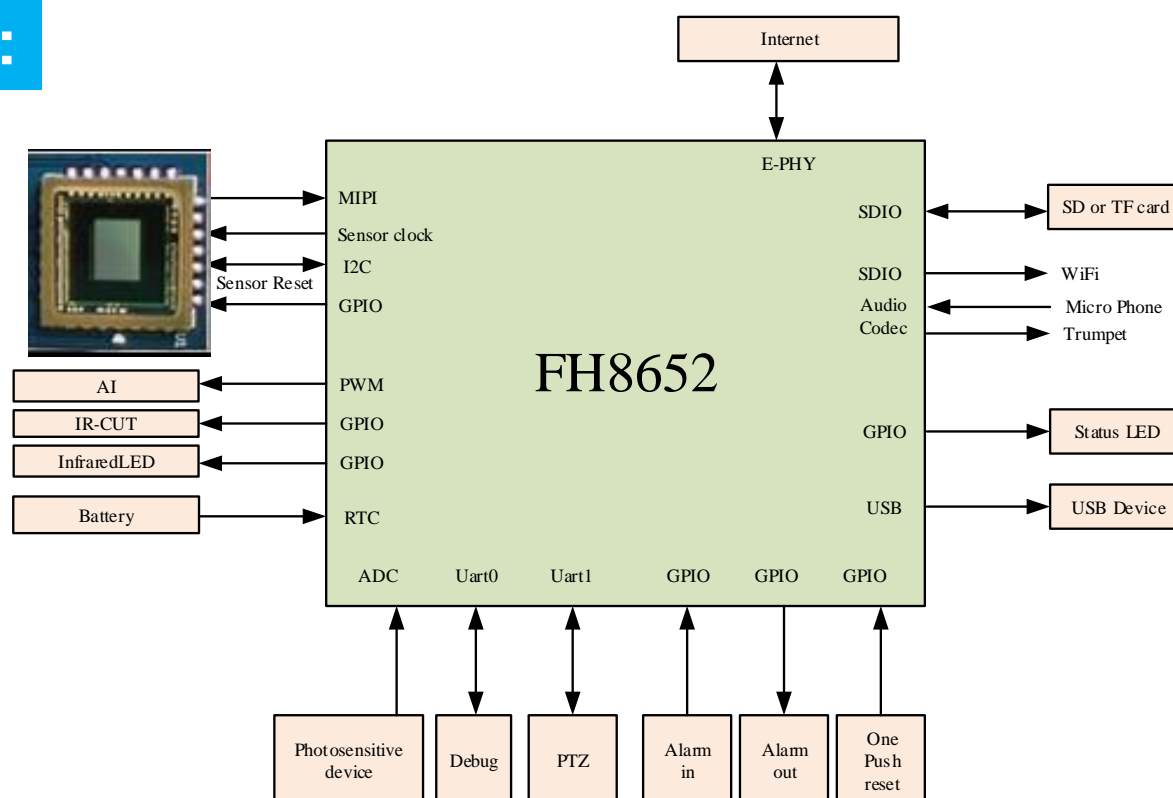
Features:

CPU	Master CPU: RISC CPU@792MHz Slave CPU: RISC CPU@396MHz	Ethernet	Integrate 10/100M Ethernet PHY
CIS Input	Support 3M (2304x1296) input 2-lane MIPI Input, RGB Bayer format	Audio	Support two channel ADC and one channel DAC ADC/DAC sampling rate: 8K to 48K Support echo cancellation
ISP Function	Support line-by-line 2-Frame WDR High Performance Local Tone Mapping	External Interface	3*I2C
	High Performance Noise Reduction: 3DNR, 2DNR AWB/AE/AF High Quality Image Enhancement Functions		3*SPI
NNA	0.5T, support human detection, car detection (optional), face detection (optional)	1*USB 2.0	
Video	H.264/H.265: 2304x1296 / 1920x1080	GPIO	
Encoder	Support multiple streams: H.264/H.265 x 2 + JPEG x 1 JPEG Encoder: 3M (2304x1296) @5fps	2*SADC	
Security	Support AES/DES	12*PWM	
	Support EFUSE Memory inside	3*UART	
		2*SDIO	
		DDR	Integrate 16-bit DDR2, 512Mbit
		Package	QFN88 (9mm x 9mm)

Diagram



Typical Solution:



Contact us
Shanghai Fullhan Microelectronics Co., Ltd.

