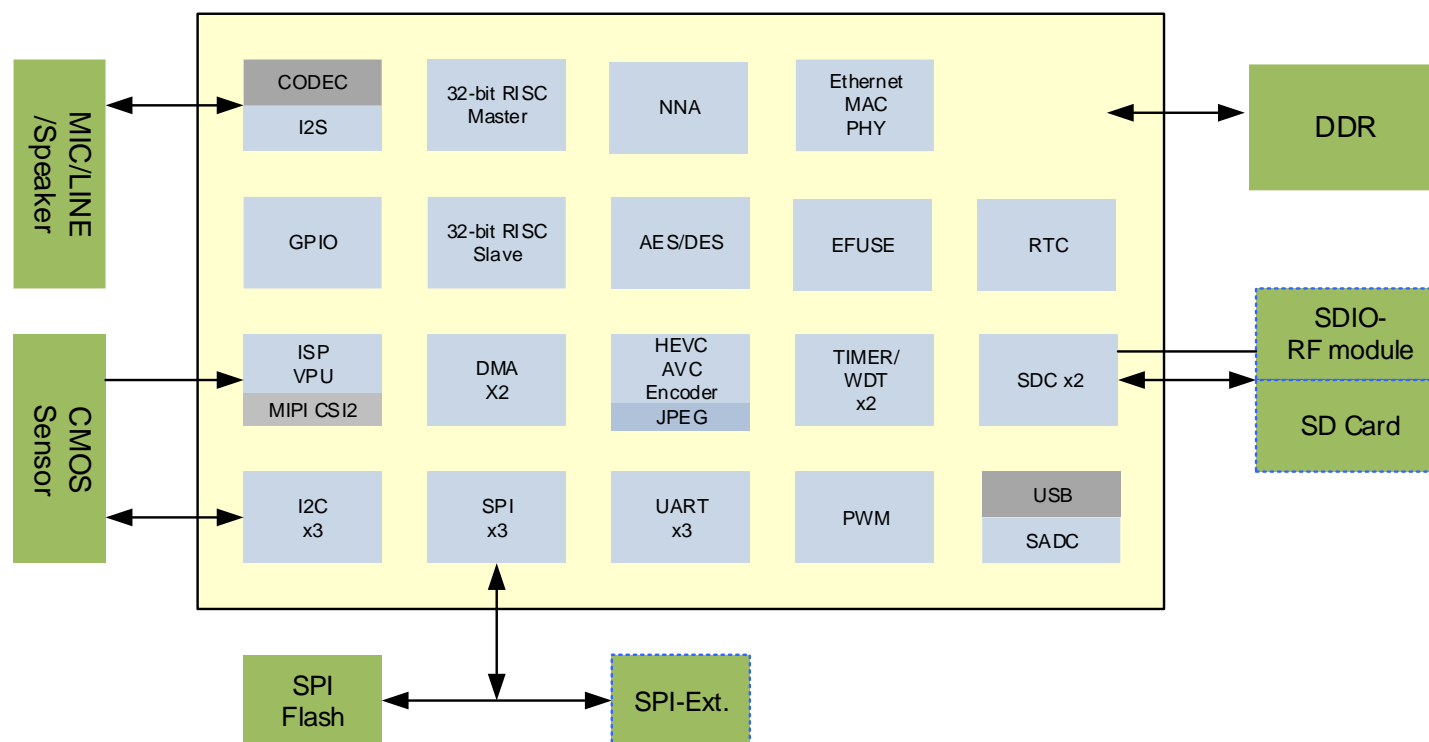


FH8658: New Generation 5M High Performance Camera SoC

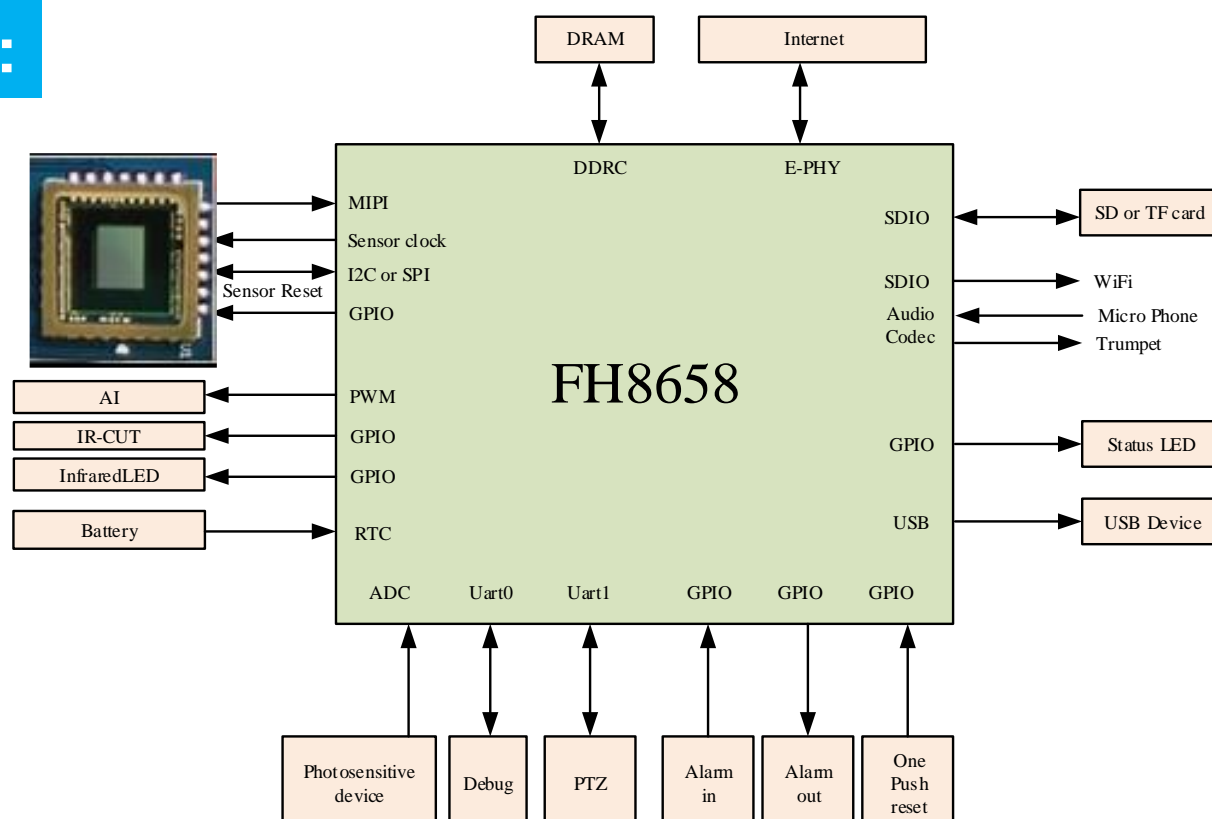
Features:

CPU	Master CPU: RISC CPU@996MHz Slave CPU: RISC CPU@498MHz	Ethernet	Integrate 10/100M Ethernet PHY
CIS Input	Support 5M (3072x1728) input 4-lane MIPI Input, RGB Bayer format	Audio	Support two channel ADC and one channel DAC ADC/DAC sampling rate: 8K to 48K Support echo cancellation
ISP Function	Support line-by-line 2-Frame WDR High Performance Local Tone Mapping	External Interface	3*I2C
	High Performance Noise Reduction: 3DNR, 2DNR AWB/AE/AF High Quality Image Enhancement Functions		3*SPI
NNA	0.5T,support human detection, car detection (optional), face detection (optional)	DDR	1*USB 2.0
Video	H.264/H.265: 3072x1728 / 2560x1440		GPIO
Encoder	Support multiple streams: H.264/H.265 x 2 + JPEG x 1 JPEG Encoder: 5M (3072x1728) @5fps	Package	4*SADC
Security	Support AES/DES Support EFUSE Memory inside		12*PWM
			3*UART
			2*SDIO
			Integrate 16-bit DDR3L, Max 4Gbit
			BGA (12mm x 13.3mm)

Diagram



Typical Solution:



Contact us
Shanghai Fullhan Microelectronics Co., Ltd.
Address: No . 717 Yishan Road Block 2 Floor 6
Xuhui District Shanghai.
Tel: +86 21 6112 1558
Fax: +86 21 6406 6786
Email: Sales@fullhan.com
www.fullhan.com

